

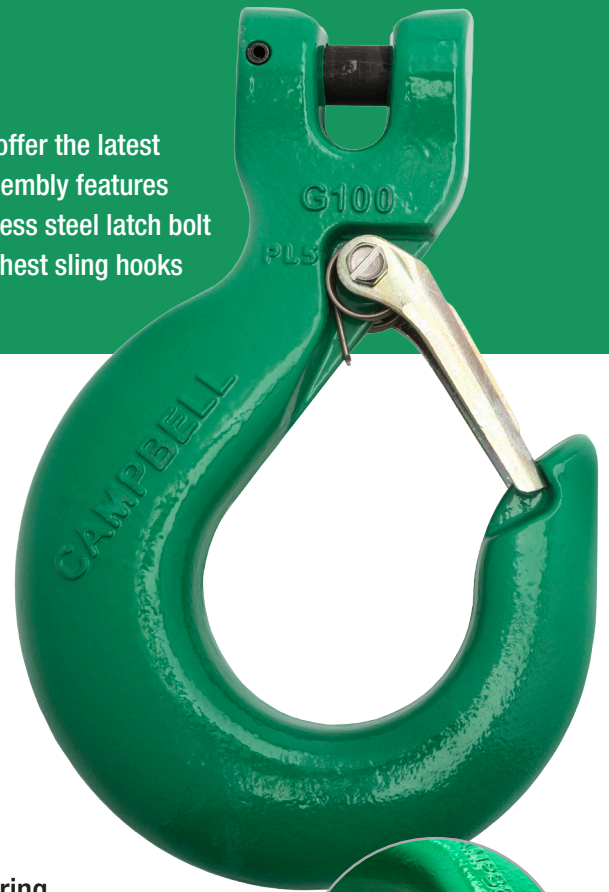


CAMPBELL®

CHAIN & FITTINGS

Campbell Sling Hooks have been redesigned from the ground up to offer the latest in durability and ease of use. A new heavy-duty latch and spring assembly features extra-thick steel construction, a double-strength spring, and a stainless steel latch bolt — all mounted on dual forged support bosses — providing the toughest sling hooks Campbell has ever made. That's Campbell Confidence at work.

- For use with Grade 80/100 chain slings
- Heavy-gauge high strength steel latch with reinforcing rib for ultimate rigidity and bending resistance
- Double-strength spring holds latch firmly against hook to securely retain slings and hardware
- Integrated forged bosses provide lateral support for positive latch/hook alignment and engagement
- Latch features yellow chromate finish, providing optimal corrosion resistance
- Latch marking forged into hook for easy replacement ordering
- Meet or exceed all requirements of ASME B30.9 and B30.10
- Design factor: 4 to 1
- 100% proof tested in accordance with ASTM A952



Heavy-gauge high strength latch

2X stronger spring



Latch marking forged into hook



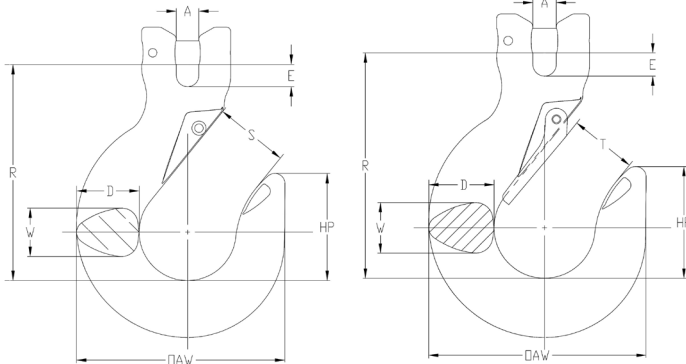
Dual boss latch/spring support

Sling Hooks



Chain Size	Quik-Alloy® (Clevis Style)		Cam-Alloy® (Eye Style)		Grade	Working Load Limit	Replacement Latch No.	Latch Marking
	Latched	Regular	Latched	Regular				
9/32-5/16 in	5746495PL	5746415PL	5646495PL	5646415PL	100	5700 lb	7506495PL	PL-4
3/8 in	5746695PL	5746615PL	5646695PL	5646615PL	100	8800 lb	7506695PL	PL-5
1/2 in	5746895PL	5746815PL	5646895PL	5646815PL	100	15000 lb	7506895PL	PL-7
5/8 in	5747095PL	5747015PL	—	5647015PL	100	22600 lb	7507095PL	PL-8
3/4 in	5747295PL	5747215PL	—	5647215PL	100	35300 lb	7507295PL	PL-9

Quik-Alloy® (Clevis Style) Sling Hooks



Regular (No Latch)

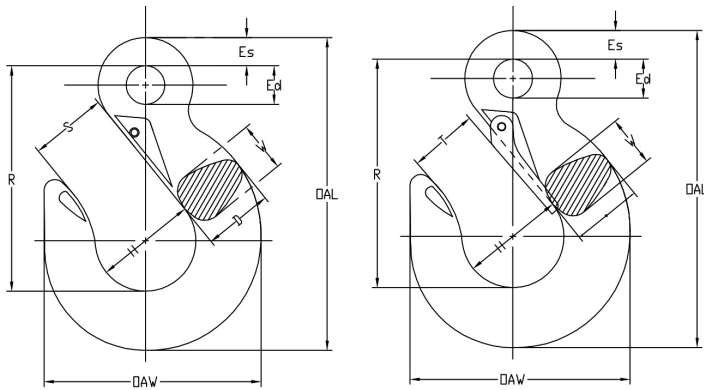
With Latch



Chain Size	A Dim.	D Dim.	E Dim.	Load Pin Dia.	HP	OAW	R Dim.	S Dim.	T Dim.	W Dim.
9/32 - 5/16 in	23/64 in	1-11/32 in	23/64 in	3/8 in	1-23/32 in	3-13/16 in	4-1/32 in	1-11/32 in	1-11/64 in	27/32 in
3/8 in	1/2 in	1-37/64 in	13/32 in	1/2 in	2-3/8 in	4-23/32 in	5-1/16 in	1-21/32 in	1-15/32 in	1-5/16 in
1/2 in	39/64 in	2-7/64 in	5/8 in	5/8 in	2-61/64 in	5-61/64 in	6-7/32 in	1-15/16 in	1-11/16 in	1-3/8 in
5/8 in	47/64 in	2-37/64 in	3/4 in	3/4 in	3-21/64 in	7-5/32 in	7-5/32 in	2-7/16 in	2-5/64 in	1-3/4 in
3/4 in	55/64 in	3-3/32 in	57/64 in	15/16 in	3-49/64 in	8-9/16 in	7-21/32 in	2-43/64 in	2-23/64 in	2-1/16 in

Replacement Latch No.	Latch Marking
7506495PL	PL-4
7506695PL	PL-5
7506895PL	PL-7
7507095PL	PL-8
7507295PL	PL-9

Cam-Alloy® (Eye Style) Sling Hooks



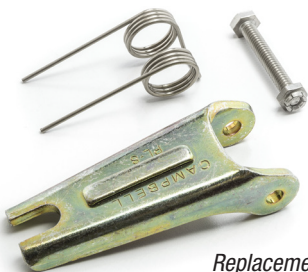
Regular (No Latch)

With Latch



Chain Size	D Dim.	Ed Dim.	Es Dim.	H Dim.	OAL	OAW	R Dim.	S Dim.	T Dim.
9/32 in - 5/16 in	1-11/32 in	3/4 in	15/32 in	1-1/2 in	6 in	3-25/32 in	4-11/32 in	1-11/32 in	1-5/32 in
3/8 in	1-9/16 in	13/16 in	19/32 in	2-1/8 in	7 in	4-23/32 in	5-3/32 in	1-21/32 in	1-15/32 in
1/2 in	2-3/32 in	1-1/8 in	3/4 in	2-7/16 in	8-25/32 in	5-31/32 in	6-7/32 in	1-15/16 in	1-11/16 in
5/8 in	2-19/32 in	1-5/16 in	7/8 in	2-13/16 in	10-3/4 in	7-1/8 in	7-23/32 in	2-7/16 in	2-3/32 in
3/4 in	3-3/32 in	1-1/2 in	1 in	3-1/8 in	12 in	8-17/32 in	8-9/32 in	2-21/32 in	2-5/16 in

Replacement Latch No.	Latch Marking
7506495PL	PL-4
7506695PL	PL-5
7506895PL	PL-7
7507095PL	PL-8
7507295PL	PL-9



Replacement Latch Kit

